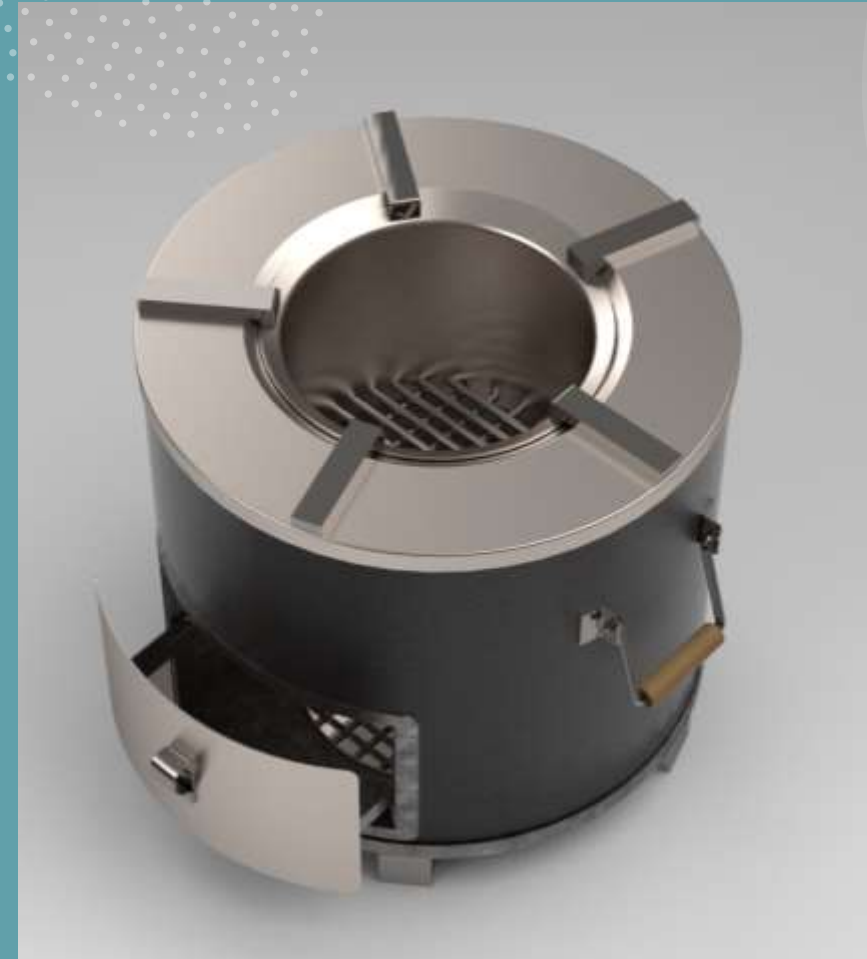
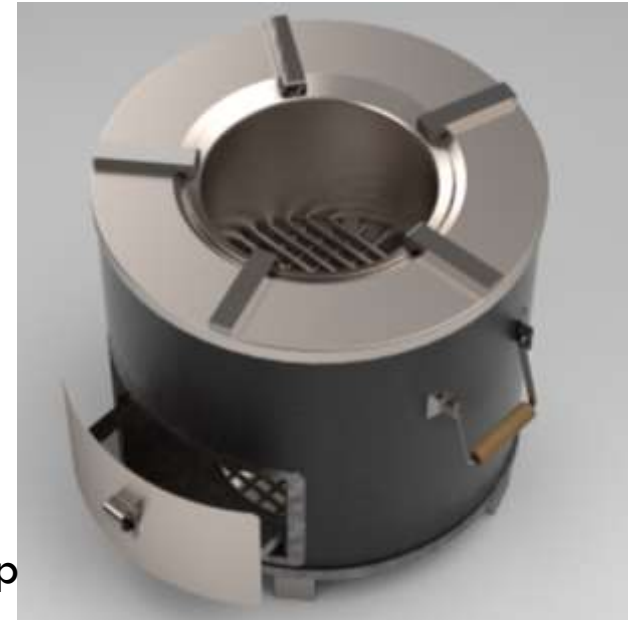
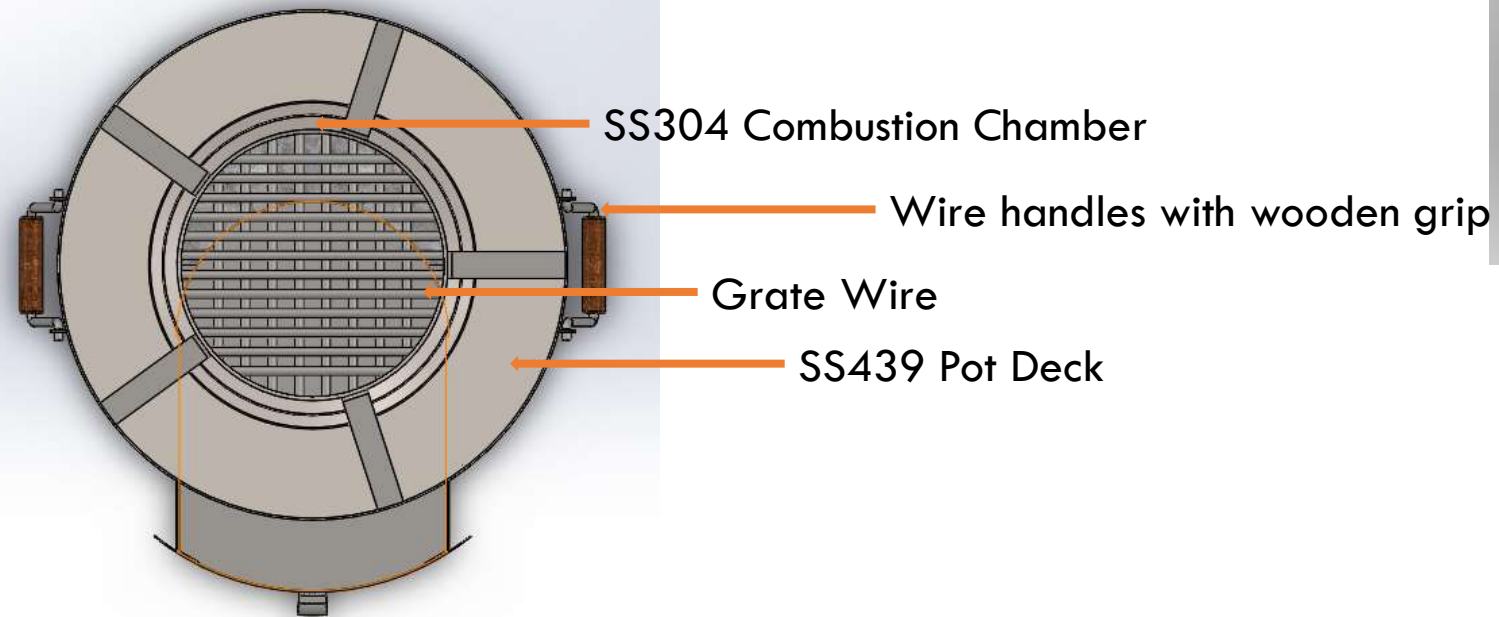
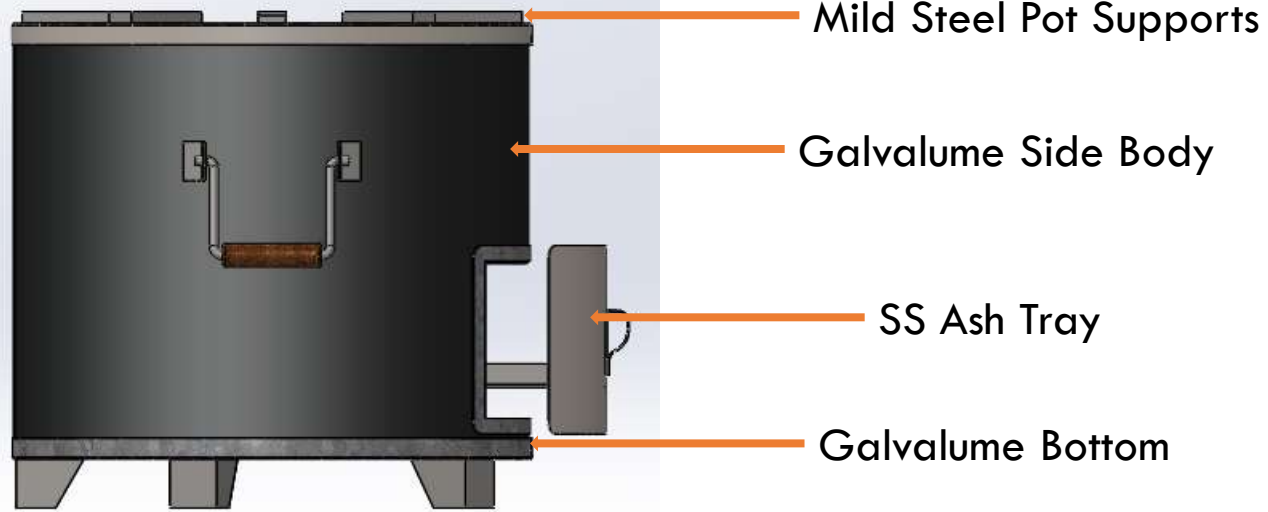


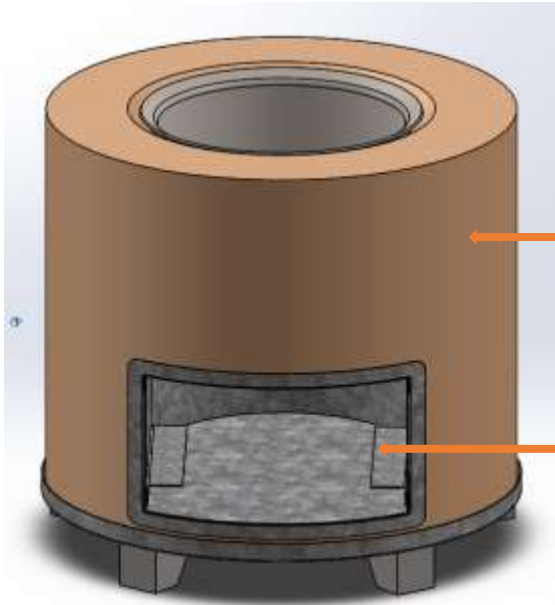
# CHARCOAL STOVE



# EXTERNAL COMPONENTS

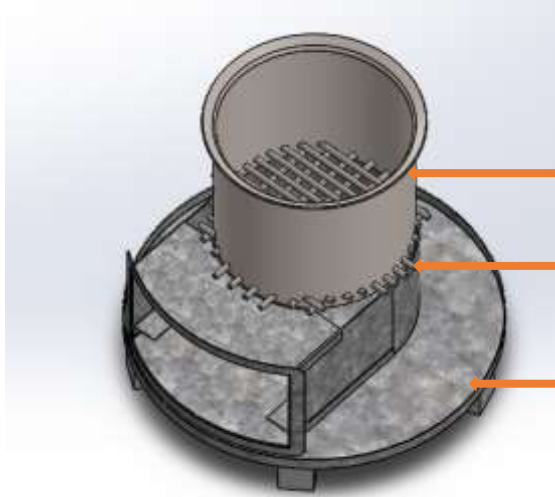


# INTERNAL COMPONENTS



Clay Insulation/Ceramic Wool Insulation

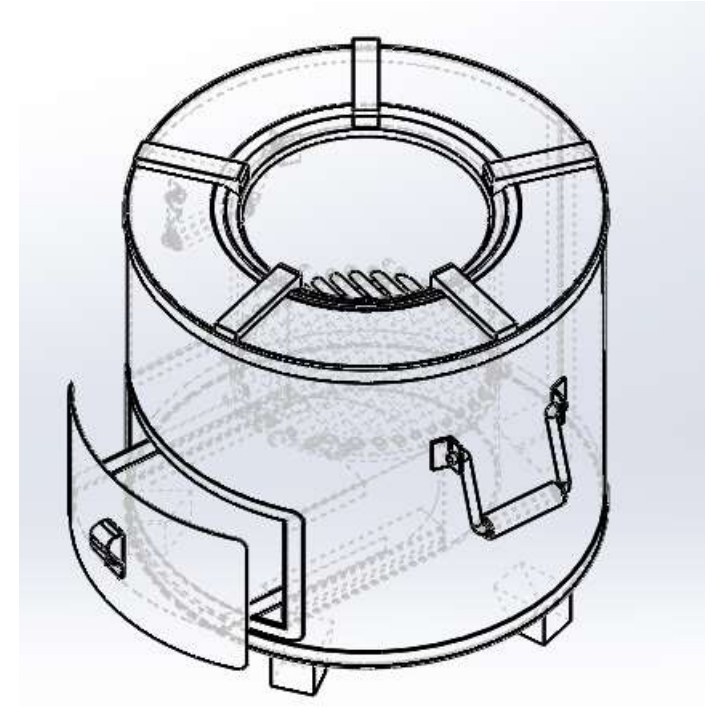
Air Intake Chamber



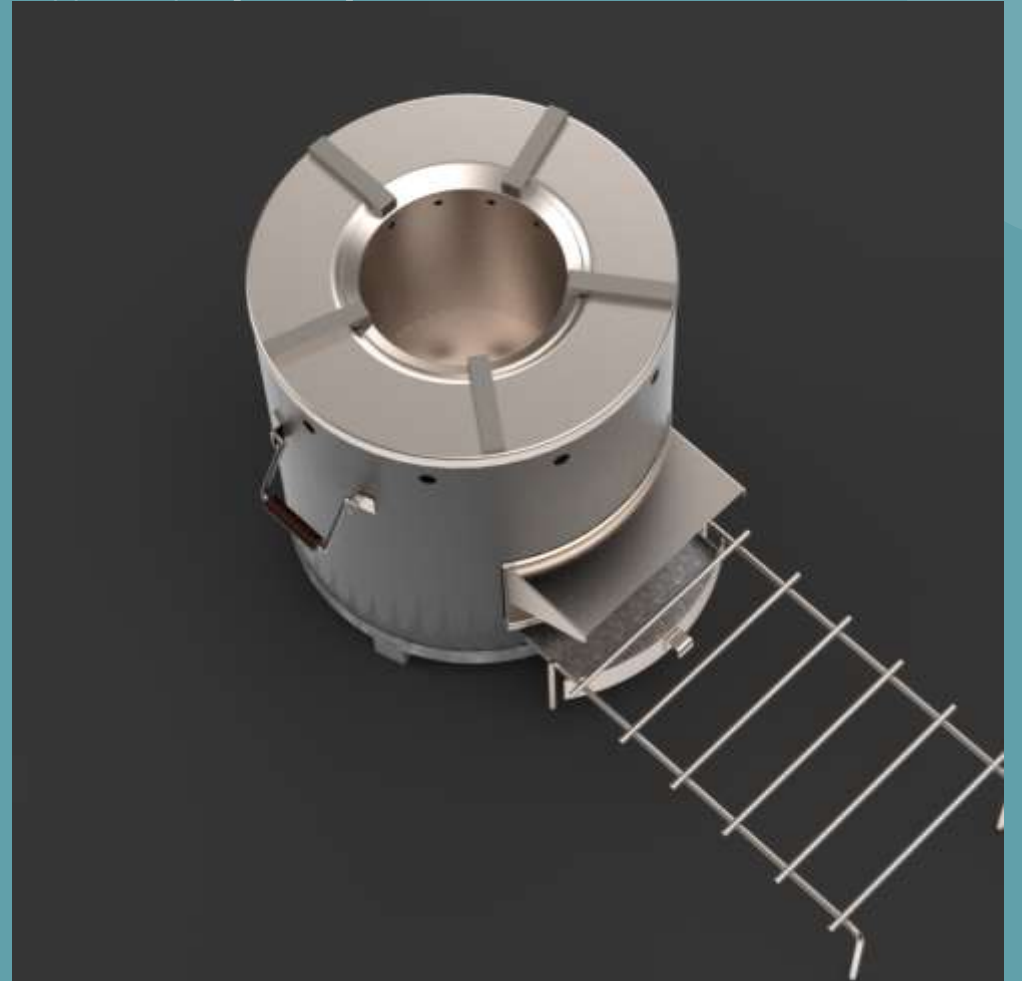
SS304 Combustion Chamber

Grate Wire

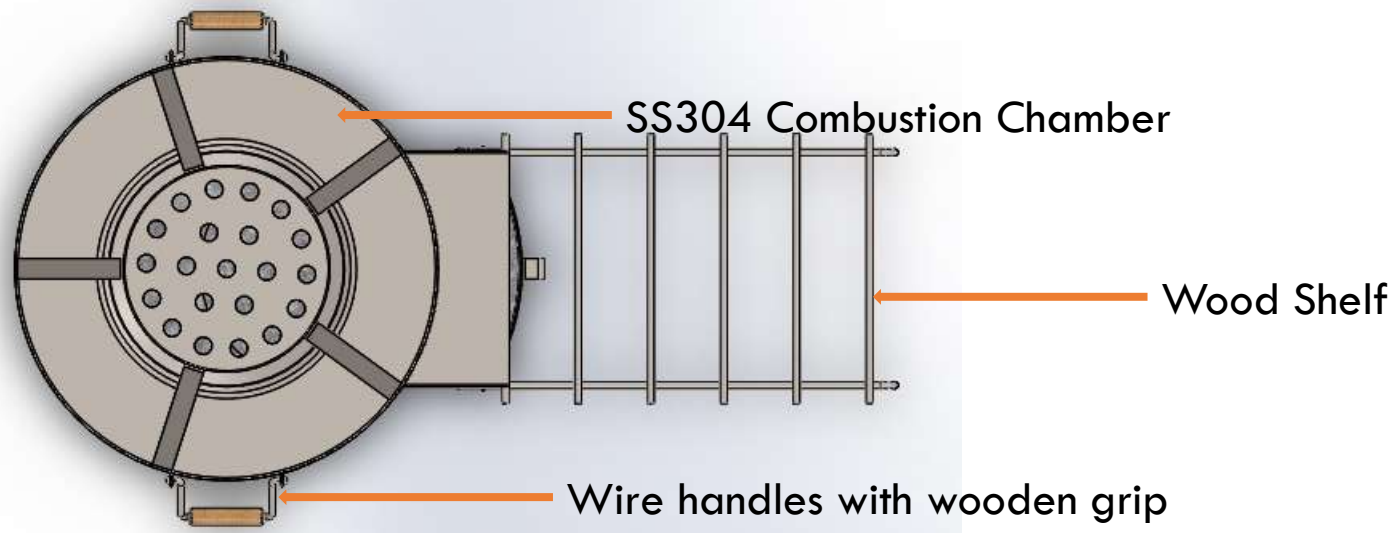
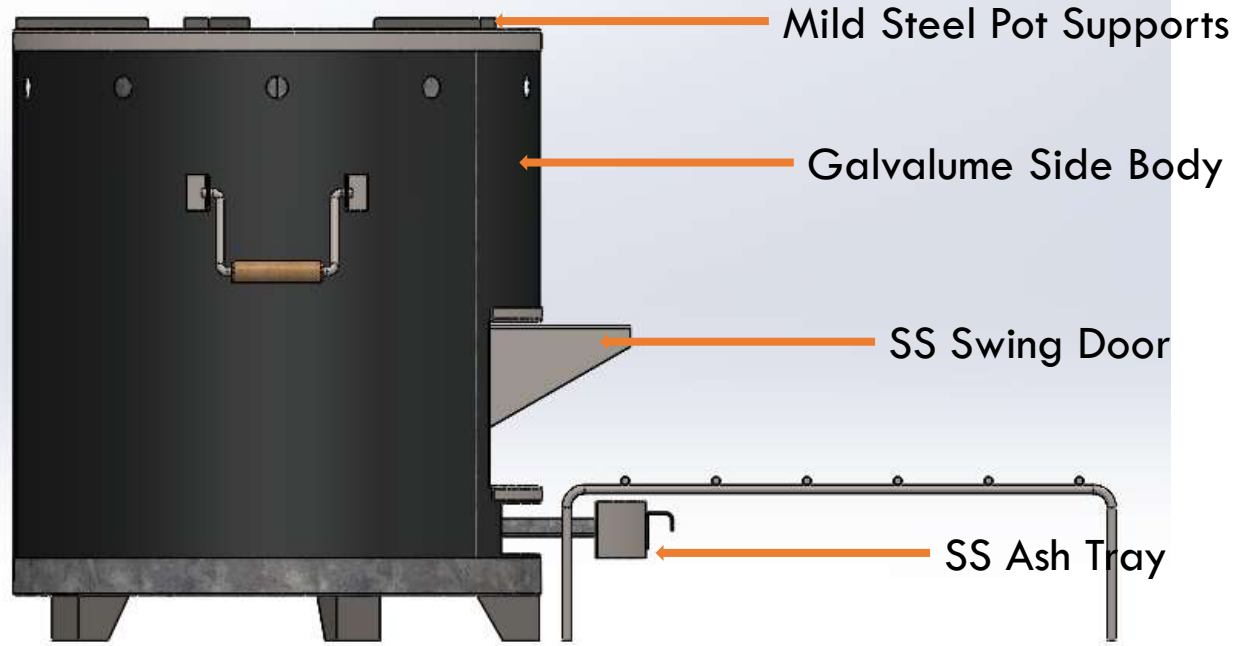
Galvalume Bottom



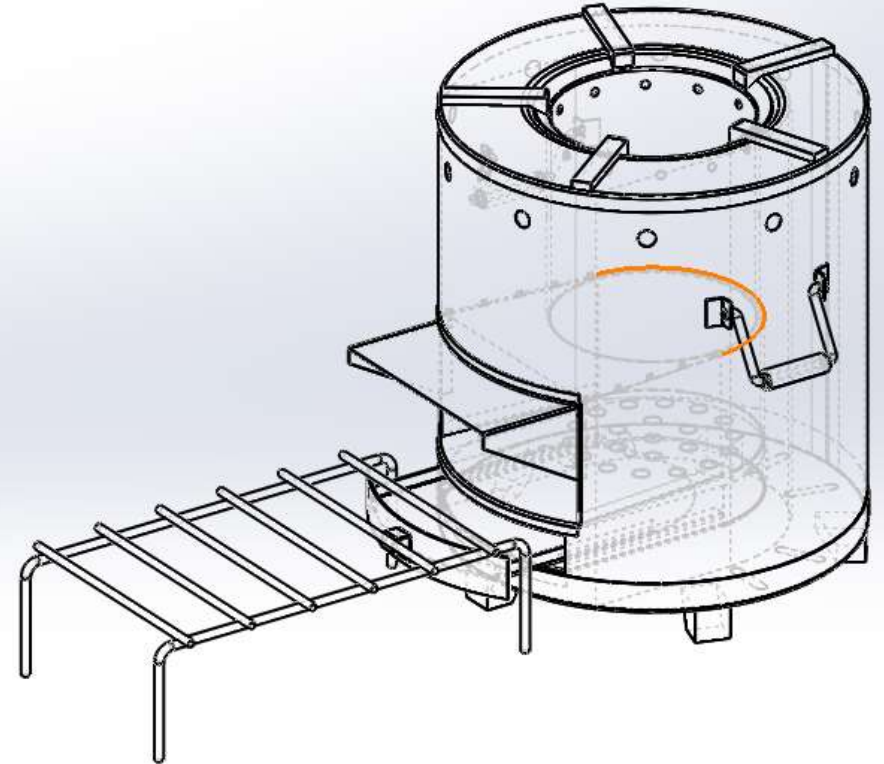
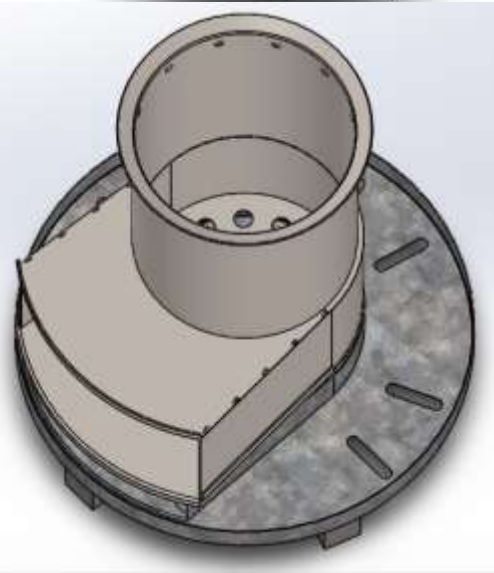
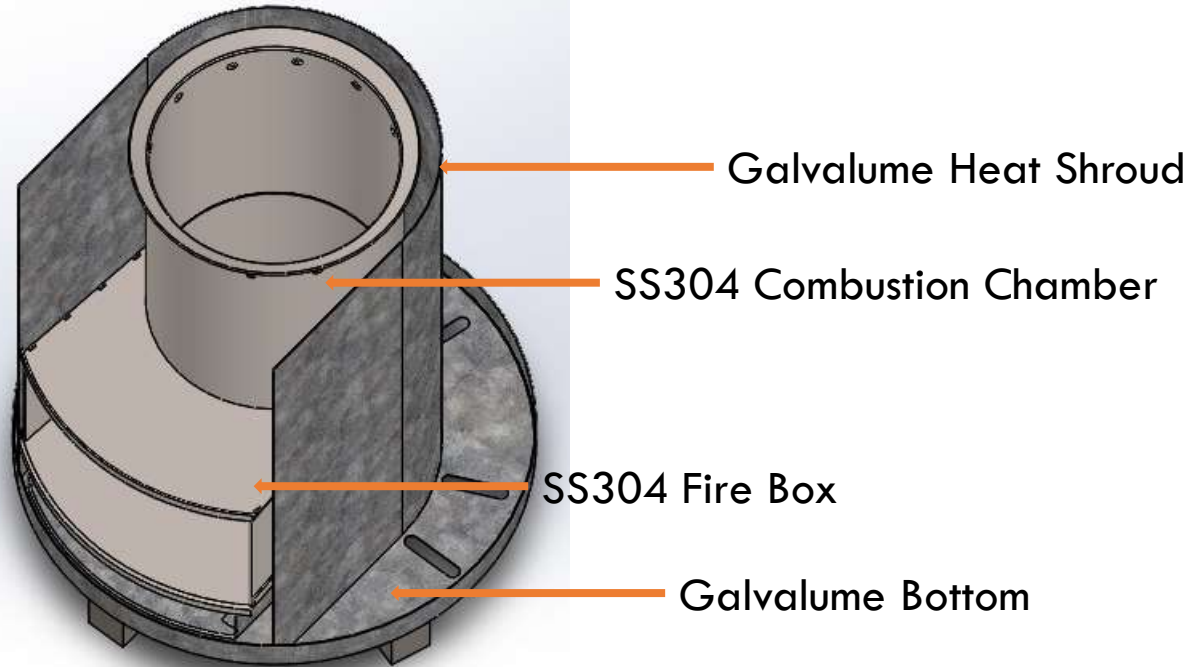
# WOOD STOVE



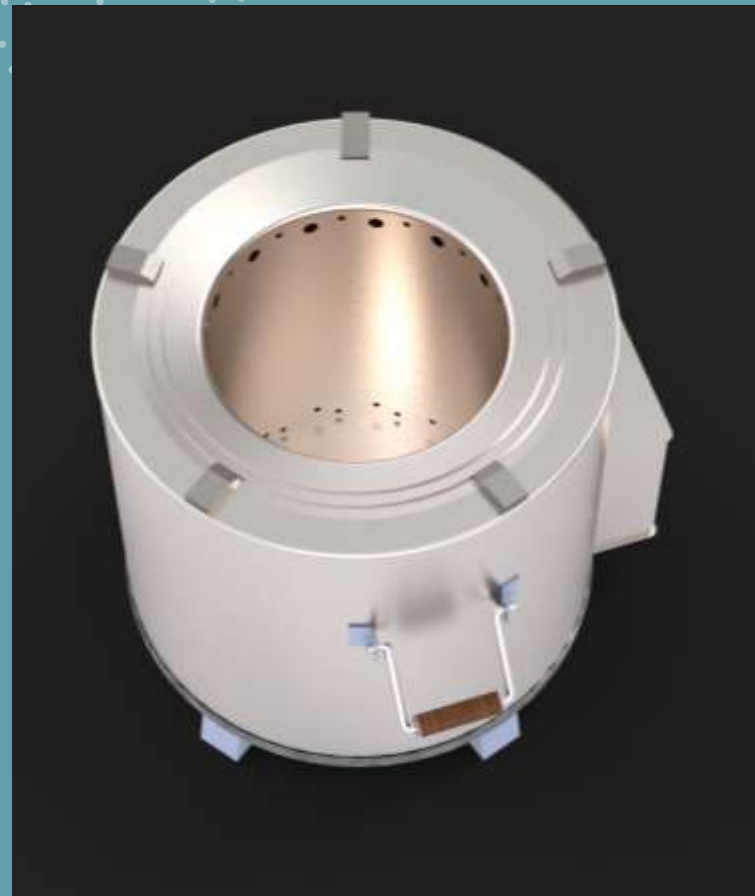
# EXTERNAL COMPONENTS



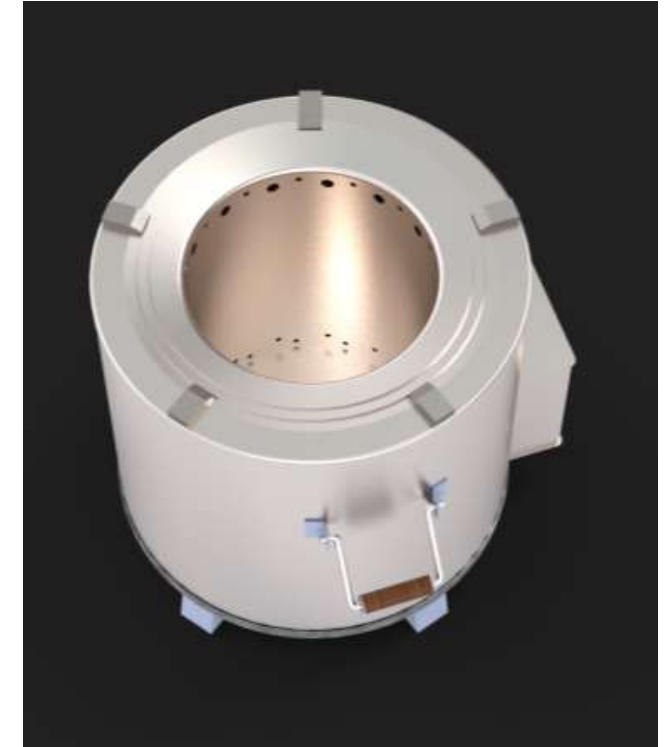
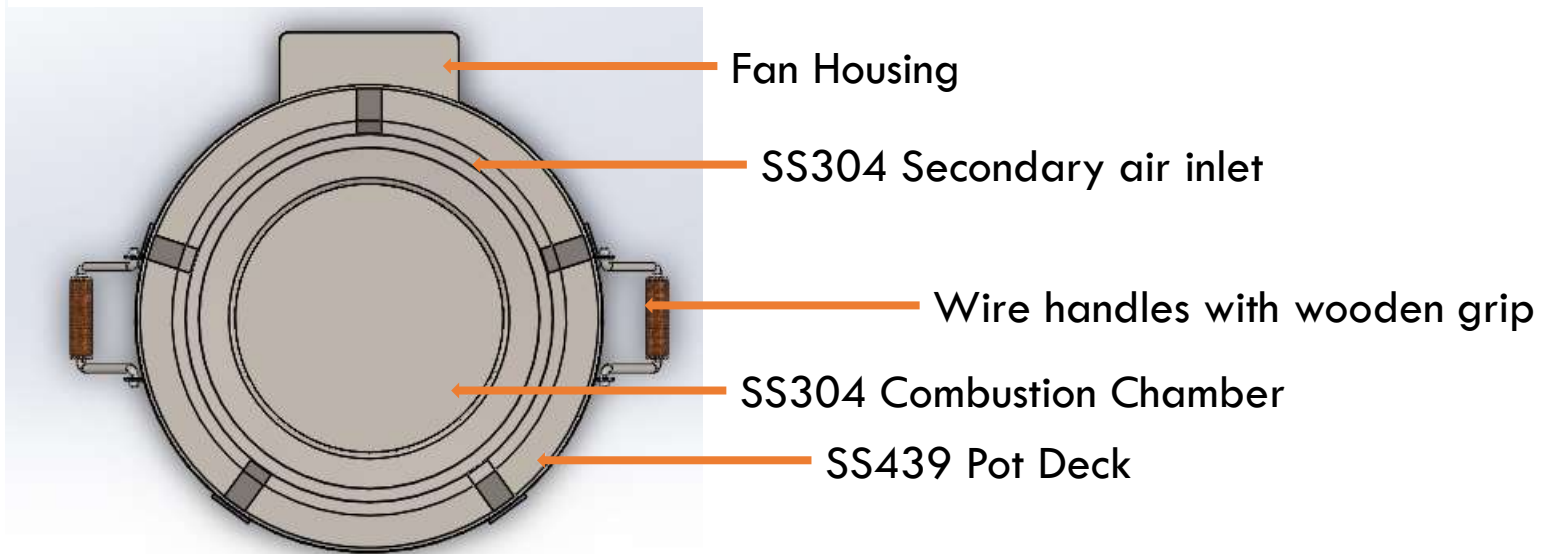
# INTERNAL COMPONENTS



# GASIFIER



# EXTERNAL COMPONENTS





**INTERNAL COMPONENTS**

